



CLIMBING SKINS

North America: Black Diamond Equipment, Ltd.
2084 East 3900 South
Salt Lake City, UT 84124

Europe: Black Diamond Europe
Hans-Maier-Strasse 9
6020, Innsbruck, Austria

© Black Diamond Equipment, Ltd. 2022

⚠ WARNING [EN]

Skiing is inherently dangerous. Understand and accept the risks involved before participating. You are responsible for your own actions and decisions. Before using this product, read and understand all instructions and warnings that accompany it and familiarize yourself with its proper use, capabilities and limitations. We recommend that you get proper training in its use. Failure to read or follow any of these warnings can result in severe injury, paralysis or death!

🔧 INSTRUCTIONS FOR USE

STS SKIN FITTING

Cutting your skin to length:

1. Remove backing paper.
2. Attach tail clip onto tail using the fourth clip position.
3. Lay the skin down taut and centered, making sure the tailpiece is securely attached and centered on the ski.
4. Hang the tip loop over the ski tip.
5. Mark the skin where the tip loop sits on it.
6. Cut the skin length in a straight line, perpendicular to length of skin (the provided trim tool is adequate but scissors cut more precisely.)

Attaching the tip loop:

1. Remove skin from the ski.
2. Slide the metal bracket with tip loop over the cut end of the skin, making sure the tip loop is bent up toward the glue side.
3. Place the plastic backing plate on the plush side of the skin.
4. Using the included T10 Torx tool (or better yet, a screwdriver with a T10 bit) screw one break-off screw through the bracket, skin and backing plate. Tip: Once the screw is started, care should be taken to not screw directly into your work surface. We suggest using folded cardboard as a backing. ATTENTION: Screws only need to be lightly snug—do not over torque (recommended torque value: 5 in lbf or 0.56 Nm).
5. Screw the remaining screws into the tip plate.
6. Use pliers to break off the screw tips.

TRIMMING SIDECUT SHAPE

1. Position the skin so the skin sits 2 mm (about the width of the ski edge) offset, towards the side you are trimming. Using the ski edge as a guide, work from tip to tail and trim the length of the skin following the side cut.
2. Reposition the skin 4 mm to the opposite side and trim the second side.
3. Move the trimmed skin back to the center of the ski so you have the tail attachment system and glueless strip aligned with the middle of the ski.
4. Trim desired taper from front corners of skin.

CARE AND MAINTENANCE

(See accompanying illustrations)

🏠 STORAGE AND TRANSPORT

At home, apply Cheat Sheets and store in a cool, dry place for long-term storage in order to preserve glue quality. Use the skin bag to keep skins clean. After long-term storage, remove Cheat Sheets at room temperature for best results.

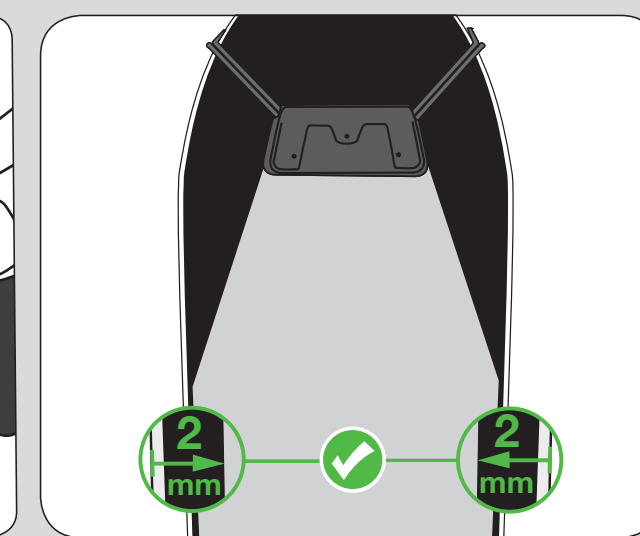
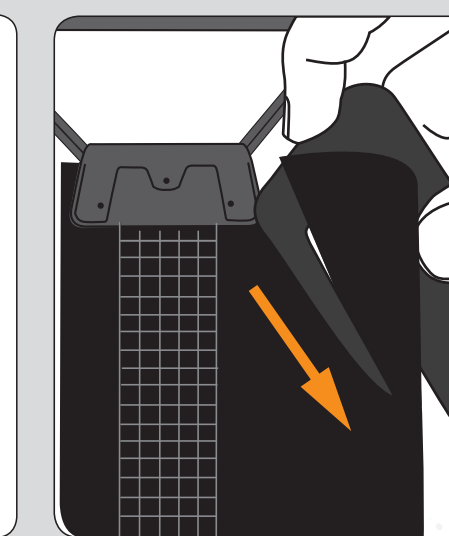
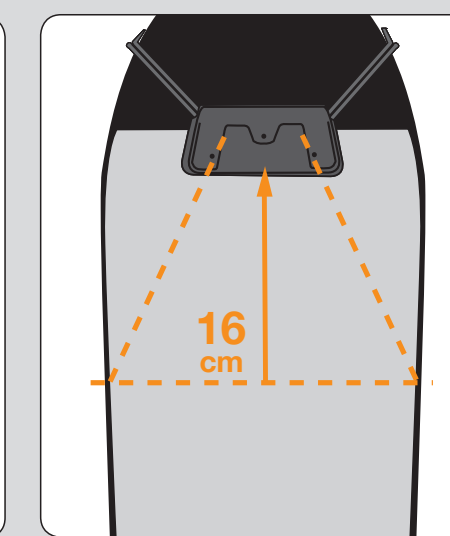
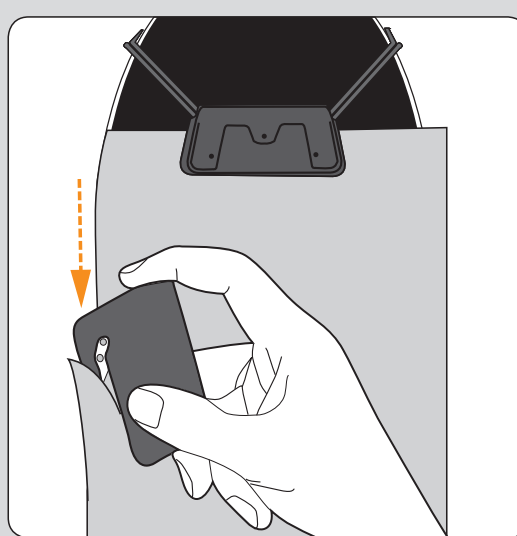
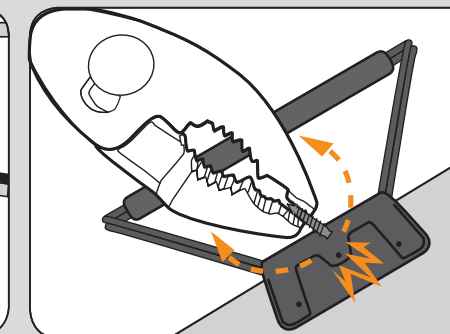
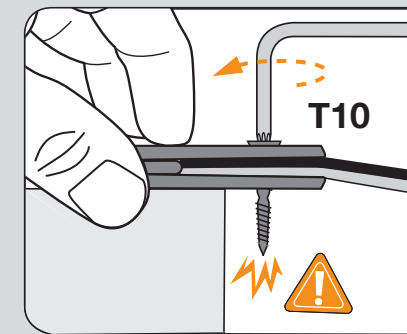
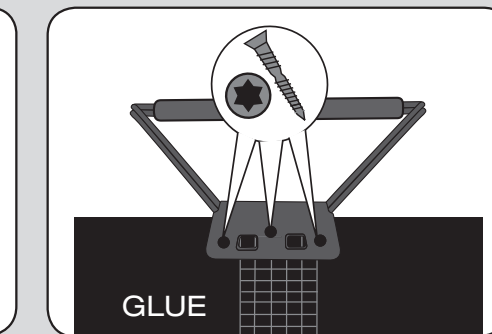
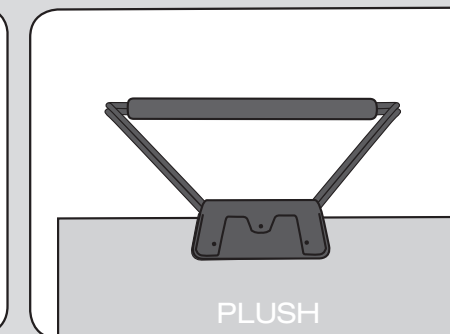
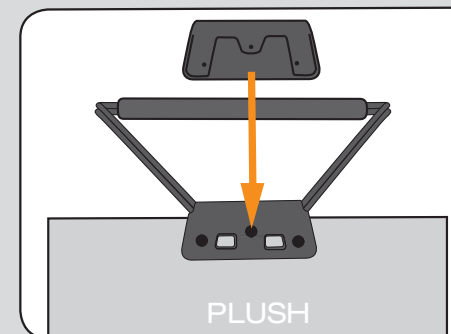
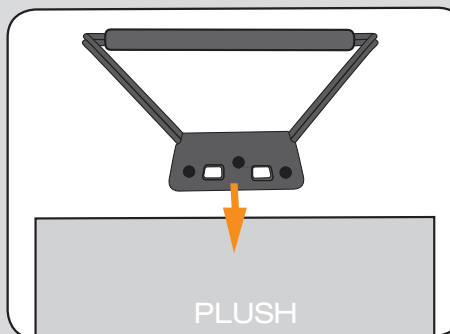
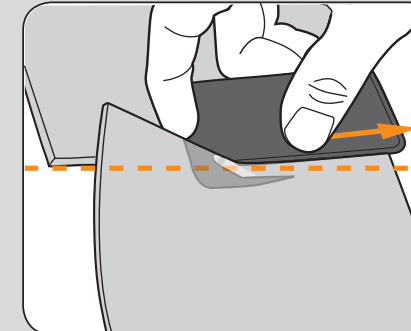
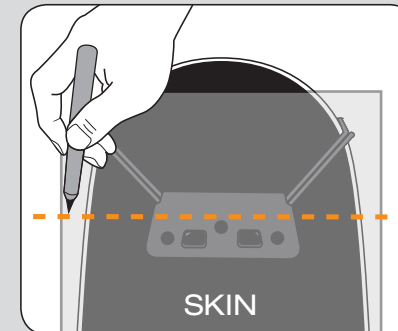
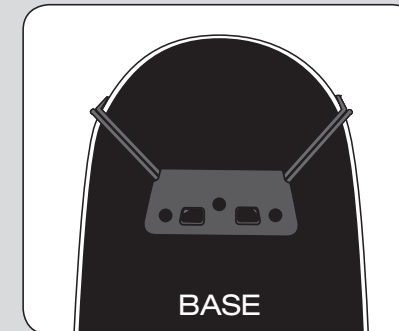
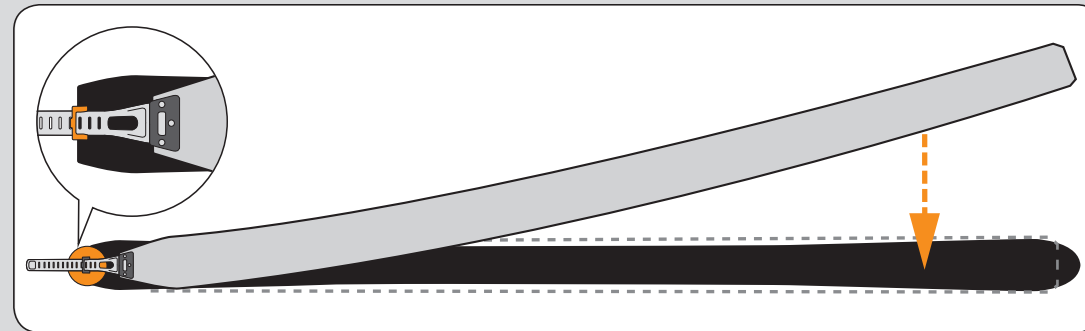
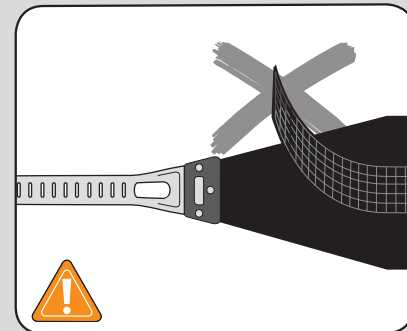
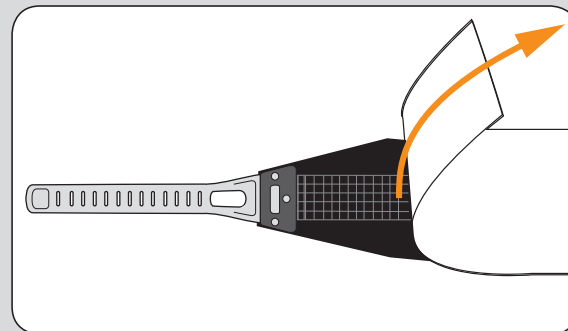
- Do not expose your skins to extreme heat.
- Keep ski bases dry and clean.
- Use only Black Diamond regluing products.
- In the field, store by folding the adhesive side against itself, by starting at the middle and work toward the ends, keeping the edges aligned.
- In cold conditions, keep your skins inside your jacket.
- Avoid getting snow on the adhesive.
- For icing or snow sticking to the plush, apply either Black Diamond Glop Stopper Wax or Nikwax Ski Skin Proof.

(See accompanying illustrations)

LIMITED WARRANTY

For one year following purchase unless otherwise indicated by law.

STS TIP INSTALLATION



we will warrant to the original retail buyer only that our products are free from defects in material and workmanship as originally sold. If you receive a defective product, return it to us and we will replace it subject to the following conditions: We do not warrant products which show normal wear and tear or that have been used or maintained improperly, modified or altered, or damaged in any manner.